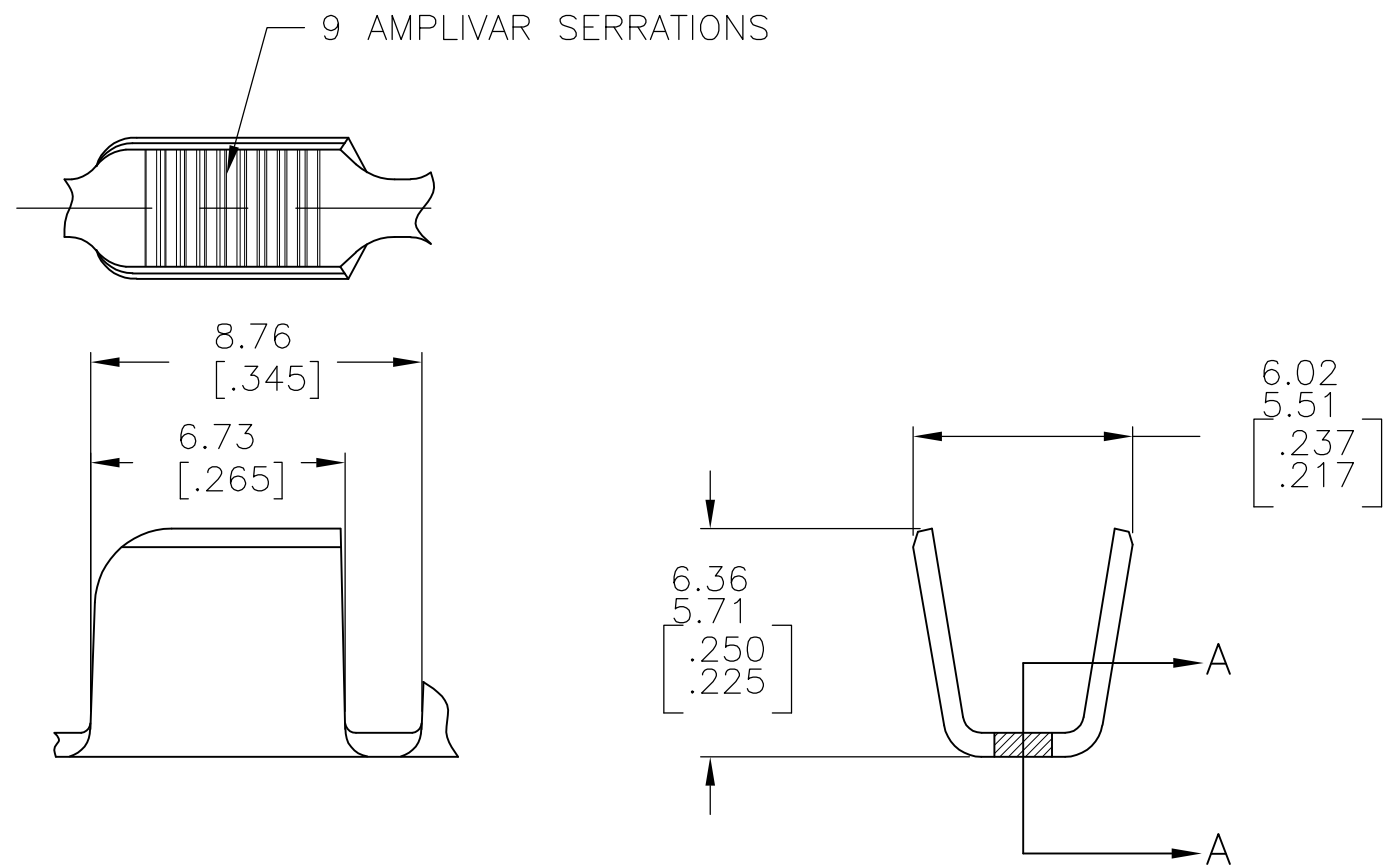
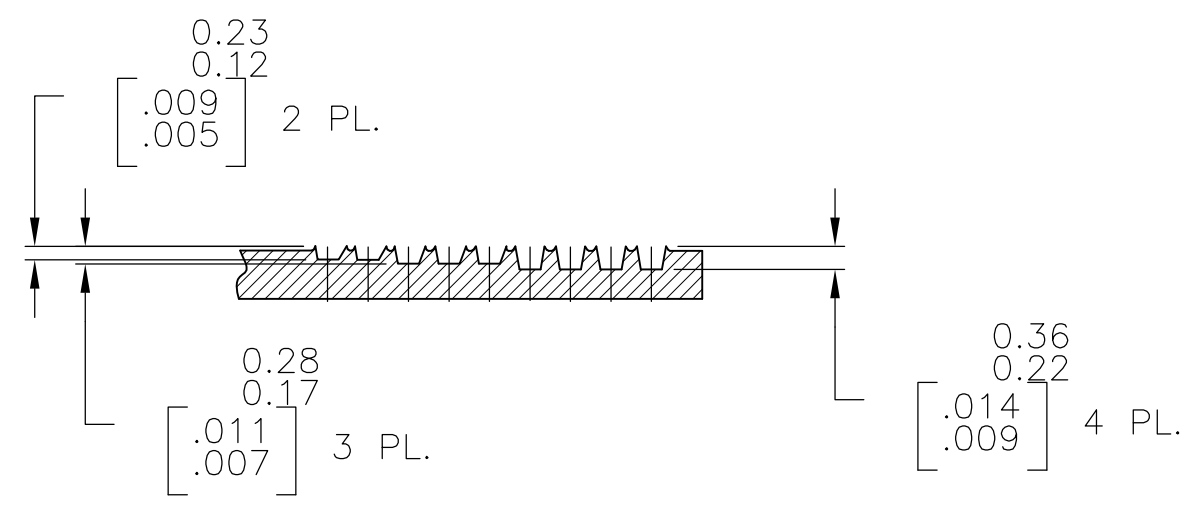


THIS DRAWING IS UNPUBLISHED. RELEASED FOR PUBLICATION
 © COPYRIGHT - By - ALL RIGHTS RESERVED.

LOC	DIST	REVISIONS					
		P	LTR	DESCRIPTION	DATE	DWN	APVD
AF	50		F4	REVISED PER ECR-12-003652	24FEB12	JR	GP



- PRODUCT PROVIDED IN STRIP FORM ON REELS; BREAKS MAY BE PRESENT.
- DIMENSIONS IN BRACKETS ARE IN INCHES.
- CRIMP WIDTH: .180 F
 CRIMP HEIGHT (±.002)=(TOTAL CMA+23,000)/312,500
 CRIMP WIDTH: .220 F
 CRIMP HEIGHT (±.002)=(TOTAL CMA+25,000)/375,000
 GENERAL APPLICATION GUIDELINES MUST BE FOLLOWED AS SPECIFIED IN CATALOG #82221
 FOR APPLICATOR INFORMATION CALL : 1-800-722-1111
 FOR PRODUCT INFORMATION CALL : 1-800-522-6752
- WIRE RANGE 7000-14000 CMA



SECTION A-A
 SCALE : 10:1

OBSOLETE	—REVERSE	62310-3
	STANDARD	62310-2
	REELING	PART NO

METRIC

THIS DRAWING IS A CONTROLLED DOCUMENT.		DWN RAGHAVENDRA 31JAN06	STE TE Connectivity	
DIMENSIONS: mm [INCHES]		CHK G.D.PORTA		
TOLERANCES UNLESS OTHERWISE SPECIFIED:		APVD G.D.PORTA	NAME	
0 PLC ± -		PRODUCT SPEC	SPLICE, AMPLIVAR	
1 PLC ± -		APPLICATION SPEC	7000-14000 CMA	
2 PLC ± 0.38[.015]		114-2003	SIZE	CAGE CODE
3 PLC ± -		WEIGHT -	A3	00779
4 PLC ± -		CUSTOMER DRAWING	DRAWING NO	C-62310
ANGLES ± 1°		RESTRICTED TO	SCALE	SHEET
FINISH			5:1	1 OF 1
MATERIAL REF 0.64±0.03 [.025±.001] BRASS			REV	F4
TIN PL.				